

SYDNEY

FRONT PLATE

FACE AVANT

Description

Material : full brass.

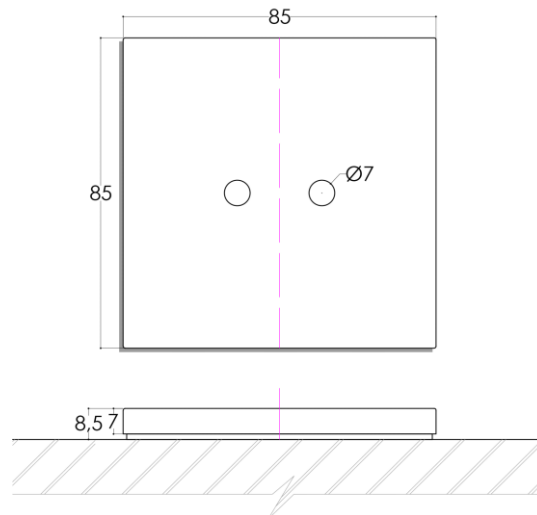
Windows opening : 1 round hole for Sydney lever.

Caractéristiques

Matière : laiton massif.

Fenêtre : 1 ouverture ronde pour levier Sydney.

Ref.	Finish	Finition	Effect	Effet
PSY001LM	Polished mirror brass	Laiton miroir	Shiny	Brillant
PSY001LB	Brushed brass	Laiton brossé	Matt	Mat
PSY001LS	Microbilled/satin brass	Laiton microbillé	Satin	Satin
PSY001VO	Antique/old gold	Vieil or	Matt	Mat
PSY001BM	Medium bronze	Bronze moyen	Matt	Mat
PSY001BR	Dark bronze	Bronze noir	Shiny	Brillant
PSY001BZ	Grey bronze	Bronze gris	Matt	Mat
PSY001NM	Polished mirror nickel	Nickel miroir	Shiny	Brillant
PSY001NB	Brushed nickel	Nickel brossé	Matt	Mat
PSY001NS	Microbilled/satin nickel	Nickel brossé	Matt	Mat
PSY001CH	Polished mirror chrome	Chrome miroir	Shiny	Brillant
PSY001RO	Brushed copper	Cuivre brossé	Matt	Mat
PSY001RA	RAL code 9003	RAL codes 9003	Matt	Mat
PSY001OR	24K gold	24K or	Shiny	Brillant
PSY001OM	24K microbilled gold	microbillé 24K or	Satin	Satin



SYDNEY

FRONT PLATE

FACE AVANT

Description

Material : full brass.

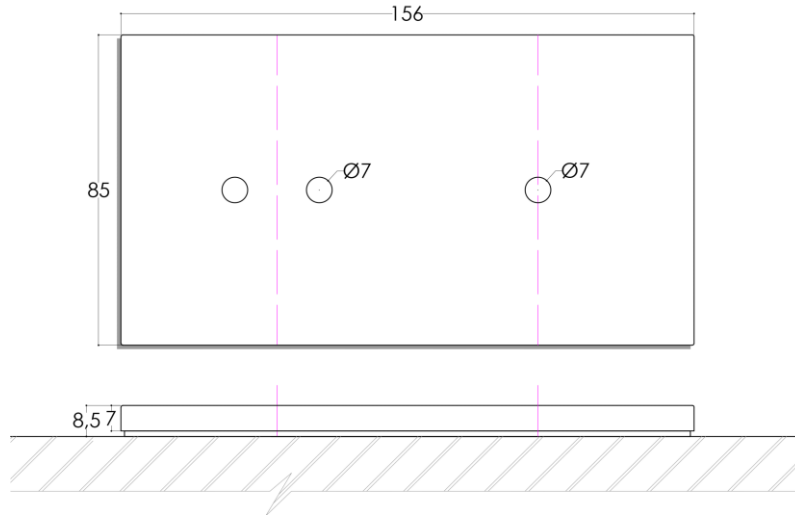
Windows opening : 2 round holes for Sydney levers.

Caractéristiques

Matière : laiton massif.

Fenêtre : 2 ouvertures rondes pour levier Sydney.

Ref.	Finish	Finition	Effect	Effet
PSY002LM	Polished mirror brass	Laiton miroir	Shiny	Brillant
PSY002LB	Brushed brass	Laiton brossé	Matt	Mat
PSY002LS	Microbilled/satin brass	Laiton microbillé	Satin	Satin
PSY002VO	Antique/old gold	Vieil or	Matt	Mat
PSY002BM	Medium bronze	Bronze moyen	Matt	Mat
PSY002BR	Dark bronze	Bronze noir	Shiny	Brillant
PSY002BZ	Grey bronze	Bronze gris	Matt	Mat
PSY002NM	Polished mirror nickel	Nickel miroir	Shiny	Brillant
PSY002NB	Brushed nickel	Nickel brossé	Matt	Mat
PSY002NS	Microbilled/satin nickel	Nickel brossé	Matt	Mat
PSY002CH	Polished mirror chrome	Chrome miroir	Shiny	Brillant
PSY002RO	Brushed copper	Cuivre brossé	Matt	Mat
PSY002RA	RAL code 9003	RAL codes 9003	Matt	Mat
PSY002OR	24K gold	24K or	Shiny	Brillant
PSY002OM	24K microbilled gold	microbillé 24K or	Satin	Satin



SYDNEY

FRONT PLATE

FACE AVANT

Description

Material : full brass.

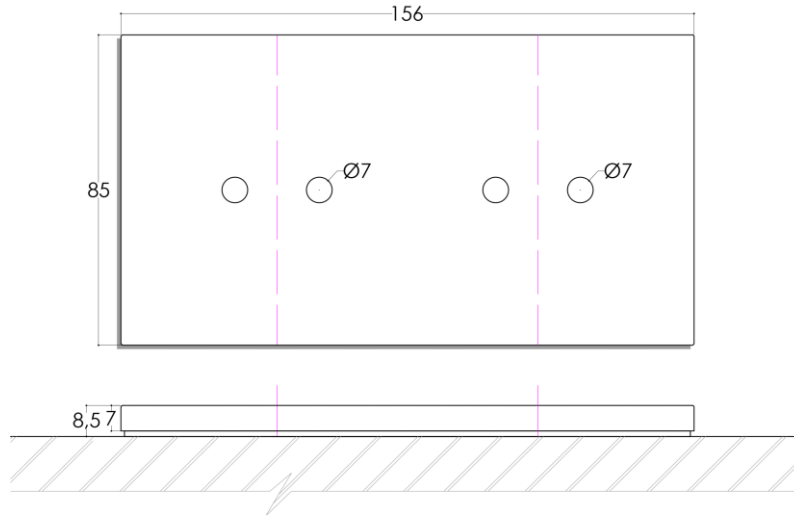
Windows opening : 2 + 1 round holes for Sydney lever.

Caractéristiques

Matière : laiton massif.

Fenêtre : 2 + 1 ouvertures rondes pour levier Sydney.

Ref.	Finish	Finition	Effect	Effet
PSY003LMH	Polished mirror brass	Laiton miroir	Shiny	Brillant
PSY003LBH	Brushed brass	Laiton brossé	Matt	Mat
PSY003LSH	Microbilled/satin brass	Laiton microbillé	Satin	Satin
PSY003VOH	Antique/old gold	Vieil or	Matt	Mat
PSY003BMH	Medium bronze	Bronze moyen	Matt	Mat
PSY003BRH	Dark bronze	Bronze noir	Shiny	Brillant
PSY003BZH	Grey bronze	Bronze gris	Matt	Mat
PSY003NMH	Polished mirror nickel	Nickel miroir	Shiny	Brillant
PSY003NBH	Brushed nickel	Nickel brossé	Matt	Mat
PSY003NSH	Microbilled/satin nickel	Nickel brossé	Matt	Mat
PSY003CHH	Polished mirror chrome	Chrome miroir	Shiny	Brillant
PSY003ROH	Brushed copper	Cuivre brossé	Matt	Mat
PSY003RAH	RAL code 9003	RAL codes 9003	Matt	Mat
PSY003ORH	24K gold	24K or	Shiny	Brillant
PSY003OMH	24K microbilled gold	microbillé 24K or	Satin	Satin



SYDNEY

FRONT PLATE

FACE AVANT

Description

Material : full brass.

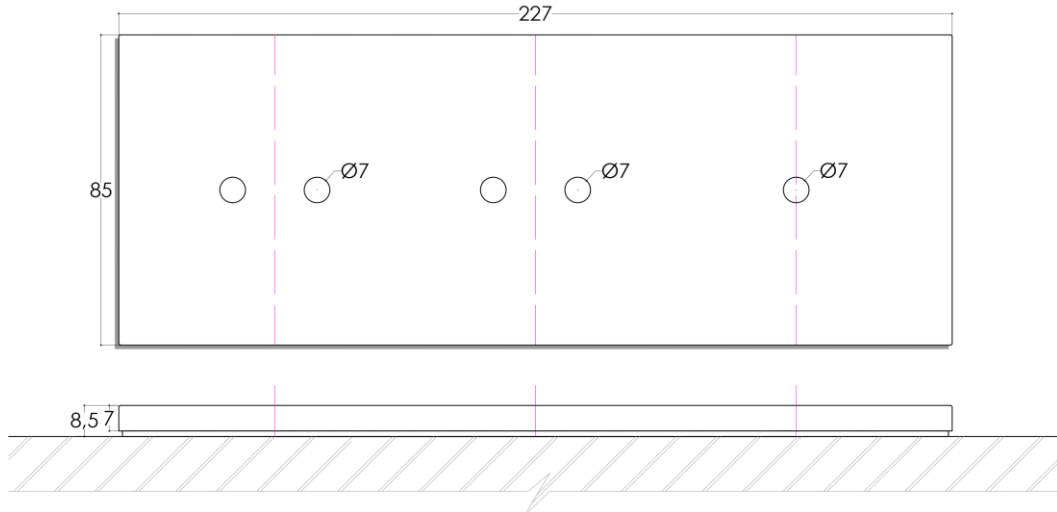
Windows opening : 2 + 2 round holes for Sydney lever.

Caractéristiques

Matière : laiton massif.

Fenêtre : 2 + 2 ouvertures rondes pour levier Sydney.

Ref.	Finish	Finition	Effect	Effet
PSY004LMH	Polished mirror brass	Laiton miroir	Shiny	Brillant
PSY004LBH	Brushed brass	Laiton brossé	Matt	Mat
PSY004LSH	Microbilled/satin brass	Laiton microbillé	Satin	Satin
PSY004VOH	Antique/old gold	Vieil or	Matt	Mat
PSY004BMH	Medium bronze	Bronze moyen	Matt	Mat
PSY004BRH	Dark bronze	Bronze noir	Shiny	Brillant
PSY004BZH	Grey bronze	Bronze gris	Matt	Mat
PSY004NMH	Polished mirror nickel	Nickel miroir	Shiny	Brillant
PSY004NBH	Brushed nickel	Nickel brossé	Matt	Mat
PSY004NSH	Microbilled/satin nickel	Nickel brossé	Matt	Mat
PSY004CHH	Polished mirror chrome	Chrome miroir	Shiny	Brillant
PSY004ROH	Brushed copper	Cuivre brossé	Matt	Mat
PSY004RAH	RAL code 9003	RAL codes 9003	Matt	Mat
PSY004ORH	24K gold	24K or	Shiny	Brillant
PSY004OMH	24K microbilled gold	microbillé 24K or	Satin	Satin



SYDNEY

FRONT PLATE

FACE AVANT

Description

Material : full brass.

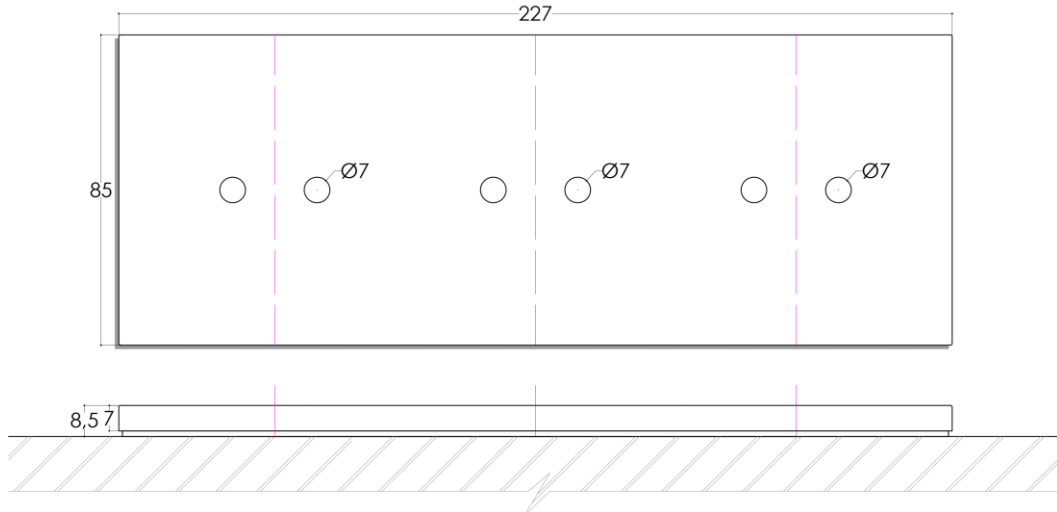
Windows opening : 2 + 2 + 1 round holes for Sydney lever.

Caractéristiques

Matière : laiton massif.

Fenêtre : 2 + 2 + 1 ouvertures rondes pour levier Sydney.

Ref.	Finish	Finition	Effect	Effet
PSY005LMH	Polished mirror brass	Laiton miroir	Shiny	Brillant
PSY005LBH	Brushed brass	Laiton brossé	Matt	Mat
PSY005LSH	Microbilled/satin brass	Laiton microbillé	Satin	Satin
PSY005VOH	Antique/old gold	Vieil or	Matt	Mat
PSY005BMH	Medium bronze	Bronze moyen	Matt	Mat
PSY005BRH	Dark bronze	Bronze noir	Shiny	Brillant
PSY005BZH	Grey bronze	Bronze gris	Matt	Mat
PSY005NMH	Polished mirror nickel	Nickel miroir	Shiny	Brillant
PSY005NBH	Brushed nickel	Nickel brossé	Matt	Mat
PSY005NSH	Microbilled/satin nickel	Nickel brossé	Matt	Mat
PSY005CHH	Polished mirror chrome	Chrome miroir	Shiny	Brillant
PSY005ROH	Brushed copper	Cuivre brossé	Matt	Mat
PSY005RAH	RAL code 9003	RAL codes 9003	Matt	Mat
PSY005ORH	24K gold	24K or	Shiny	Brillant
PSY005OMH	24K microbilled gold	microbillé 24K or	Satin	Satin



SYDNEY

FRONT PLATE

FACE AVANT

Description

Material : full brass.

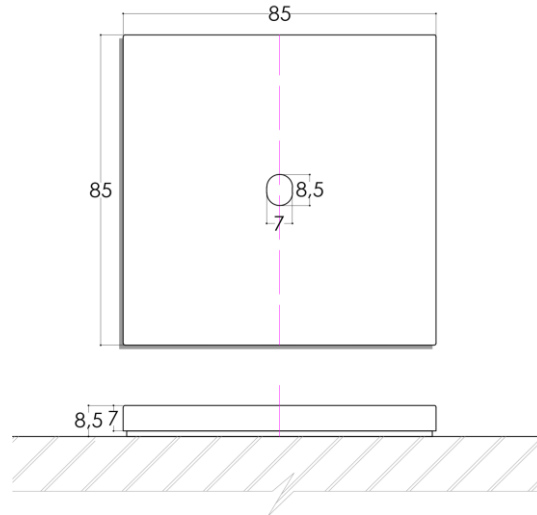
Windows opening : 2 + 2 + 2 round holes for Sydney lever.

Caractéristiques

Matière : laiton massif.

Fenêtre : 2 + 2 + 2 ouvertures rondes pour levier Sydney.

Ref.	Finish	Finition	Effect	Effet
PSY006LMH	Polished mirror brass	Laiton miroir	Shiny	Brillant
PSY006LBH	Brushed brass	Laiton brossé	Matt	Mat
PSY006LSH	Microbilled/satin brass	Laiton microbillé	Satin	Satin
PSY006VOH	Antique/old gold	Vieil or	Matt	Mat
PSY006BMH	Medium bronze	Bronze moyen	Matt	Mat
PSY006BRH	Dark bronze	Bronze noir	Shiny	Brillant
PSY006BZH	Grey bronze	Bronze gris	Matt	Mat
PSY006NMH	Polished mirror nickel	Nickel miroir	Shiny	Brillant
PSY006NBH	Brushed nickel	Nickel brossé	Matt	Mat
PSY006NSH	Microbilled/satin nickel	Nickel brossé	Matt	Mat
PSY006CHH	Polished mirror chrome	Chrome miroir	Shiny	Brillant
PSY006ROH	Brushed copper	Cuivre brossé	Matt	Mat
PSY006RAH	RAL code 9003	RAL codes 9003	Matt	Mat
PSY006ORH	24K gold	24K or	Shiny	Brillant
PSY006OMH	24K microbilled gold	microbillé 24K or	Satin	Satin



SYDNEY

FRONT PLATE

FACE AVANT

Description

Material : full brass.

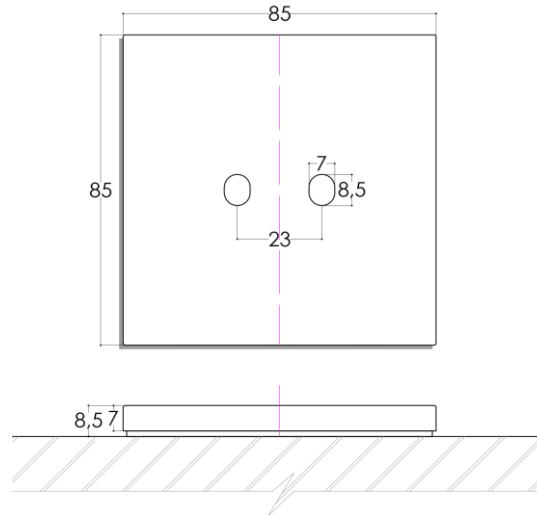
Windows opening : 1 ovalic hole for Sydney lever.

Caractéristiques

Matière : laiton massif.

Fenêtre : 1 ouverture ovale pour levier Sydney.

Ref.	Finish	Finition	Effect	Effet
PSY401LM	Polished mirror brass	Laiton miroir	Shiny	Brillant
PSY401LB	Brushed brass	Laiton brossé	Matt	Mat
PSY401LS	Microbilled/satin brass	Laiton microbillé	Satin	Satin
PSY401VO	Antique/old gold	Vieil or	Matt	Mat
PSY401BM	Medium bronze	Bronze moyen	Matt	Mat
PSY401BR	Dark bronze	Bronze noir	Shiny	Brillant
PSY401BZ	Grey bronze	Bronze gris	Matt	Mat
PSY401NM	Polished mirror nickel	Nickel miroir	Shiny	Brillant
PSY401NB	Brushed nickel	Nickel brossé	Matt	Mat
PSY401NS	Microbilled/satin nickel	Nickel brossé	Matt	Mat
PSY401CH	Polished mirror chrome	Chrome miroir	Shiny	Brillant
PSY401RO	Brushed copper	Cuivre brossé	Matt	Mat
PSY401RA	RAL code 9003	RAL codes 9003	Matt	Mat
PSY401OR	24K gold	24K or	Shiny	Brillant
PSY401OM	24K microbilled gold	microbillé 24K or	Satin	Satin



SYDNEY

FRONT PLATE

FACE AVANT

Description

Material : full brass.

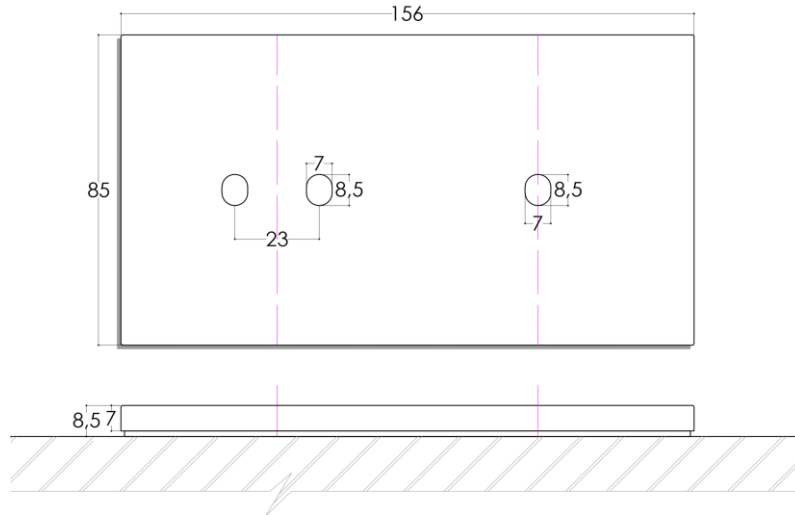
Windows opening : 2 ovalic holes for Sydney lever.

Caractéristiques

Matière : laiton massif.

Fenêtre : 2 ouvertures ovales pour levier Sydney.

Ref.	Finish	Finition	Effect	Effet
PSY402LM	Polished mirror brass	Laiton miroir	Shiny	Brillant
PSY402LB	Brushed brass	Laiton brossé	Matt	Mat
PSY402LS	Microbilled/satin brass	Laiton microbillé	Satin	Satin
PSY402VO	Antique/old gold	Vieil or	Matt	Mat
PSY402BM	Medium bronze	Bronze moyen	Matt	Mat
PSY402BR	Dark bronze	Bronze noir	Shiny	Brillant
PSY402BZ	Grey bronze	Bronze gris	Matt	Mat
PSY402NM	Polished mirror nickel	Nickel miroir	Shiny	Brillant
PSY402NB	Brushed nickel	Nickel brossé	Matt	Mat
PSY402NS	Microbilled/satin nickel	Nickel brossé	Matt	Mat
PSY402CH	Polished mirror chrome	Chrome miroir	Shiny	Brillant
PSY402RO	Brushed copper	Cuivre brossé	Matt	Mat
PSY402RA	RAL code 9003	RAL codes 9003	Matt	Mat
PSY402OR	24K gold	24K or	Shiny	Brillant
PSY402OM	24K microbilled gold	microbillé 24K or	Satin	Satin



SYDNEY

FRONT PLATE

FACE AVANT

Description

Material : full brass.

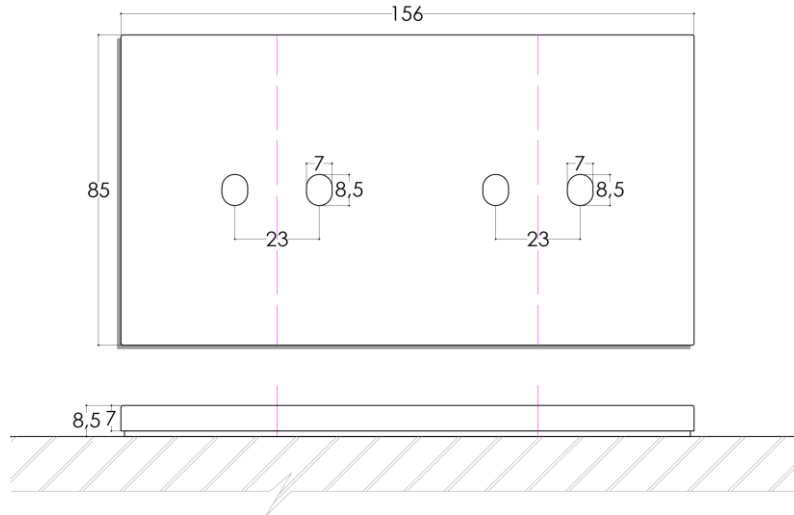
Windows opening : 2 + 1 ovalic holes for Sydney lever.

Caractéristiques

Matière : laiton massif.

Fenêtre : 2 + 1 ouvertures ovales pour levier Sydney.

Ref.	Finish	Finition	Effect	Effet
PSY403LMH	Polished mirror brass	Laiton miroir	Shiny	Brillant
PSY403LBH	Brushed brass	Laiton brossé	Matt	Mat
PSY403LSH	Microbilled/satin brass	Laiton microbillé	Satin	Satin
PSY403VOH	Antique/old gold	Vieil or	Matt	Mat
PSY403BMH	Medium bronze	Bronze moyen	Matt	Mat
PSY403BRH	Dark bronze	Bronze noir	Shiny	Brillant
PSY403BZH	Grey bronze	Bronze gris	Matt	Mat
PSY403NMH	Polished mirror nickel	Nickel miroir	Shiny	Brillant
PSY403NBH	Brushed nickel	Nickel brossé	Matt	Mat
PSY403NSH	Microbilled/satin nickel	Nickel brossé	Matt	Mat
PSY403CHH	Polished mirror chrome	Chrome miroir	Shiny	Brillant
PSY403ROH	Brushed copper	Cuivre brossé	Matt	Mat
PSY403RAH	RAL code 9003	RAL codes 9003	Matt	Mat
PSY403ORH	24K gold	24K or	Shiny	Brillant
PSY403OMH	24K microbilled gold	microbillé 24K or	Satin	Satin



SYDNEY

FRONT PLATE

FACE AVANT

Description

Material : full brass.

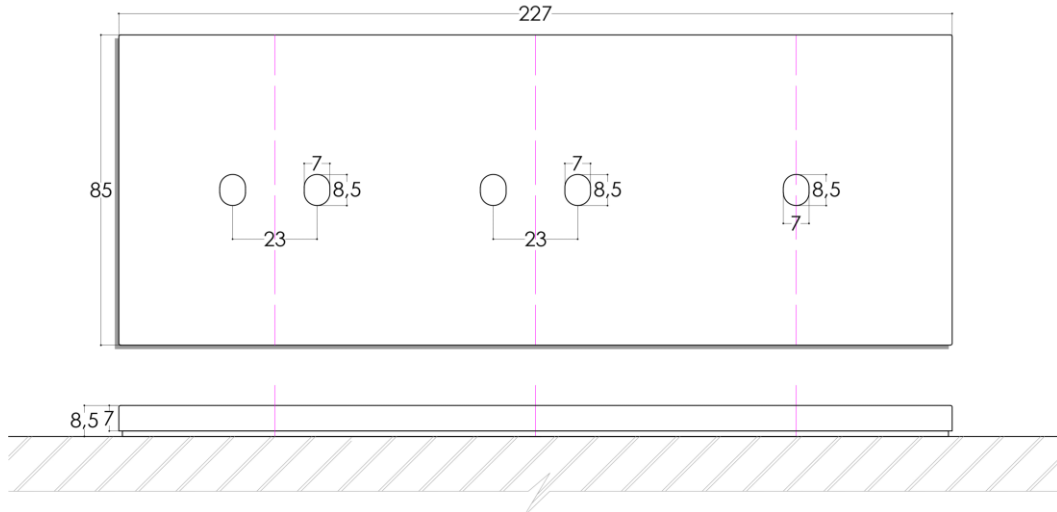
Windows opening : 2 + 2 ovalic holes for Sydney lever.

Caractéristiques

Matière : laiton massif.

Fenêtre : 2 + 2 ouvertures ovales pour levier Sydney.

Ref.	Finish	Finition	Effect	Effet
PSY404LMH	Polished mirror brass	Laiton miroir	Shiny	Brillant
PSY404LBH	Brushed brass	Laiton brossé	Matt	Mat
PSY404LSH	Microbilled/satin brass	Laiton microbillé	Satin	Satin
PSY404VOH	Antique/old gold	Vieil or	Matt	Mat
PSY404BMH	Medium bronze	Bronze moyen	Matt	Mat
PSY404BRH	Dark bronze	Bronze noir	Shiny	Brillant
PSY404BZH	Grey bronze	Bronze gris	Matt	Mat
PSY404NMH	Polished mirror nickel	Nickel miroir	Shiny	Brillant
PSY404NBH	Brushed nickel	Nickel brossé	Matt	Mat
PSY404NSH	Microbilled/satin nickel	Nickel brossé	Matt	Mat
PSY404CHH	Polished mirror chrome	Chrome miroir	Shiny	Brillant
PSY404ROH	Brushed copper	Cuivre brossé	Matt	Mat
PSY404RAH	RAL code 9003	RAL codes 9003	Matt	Mat
PSY404ORH	24K gold	24K or	Shiny	Brillant
PSY404OMH	24K microbilled gold	microbillé 24K or	Satin	Satin



SYDNEY

FRONT PLATE

FACE AVANT

Description

Material : full brass.

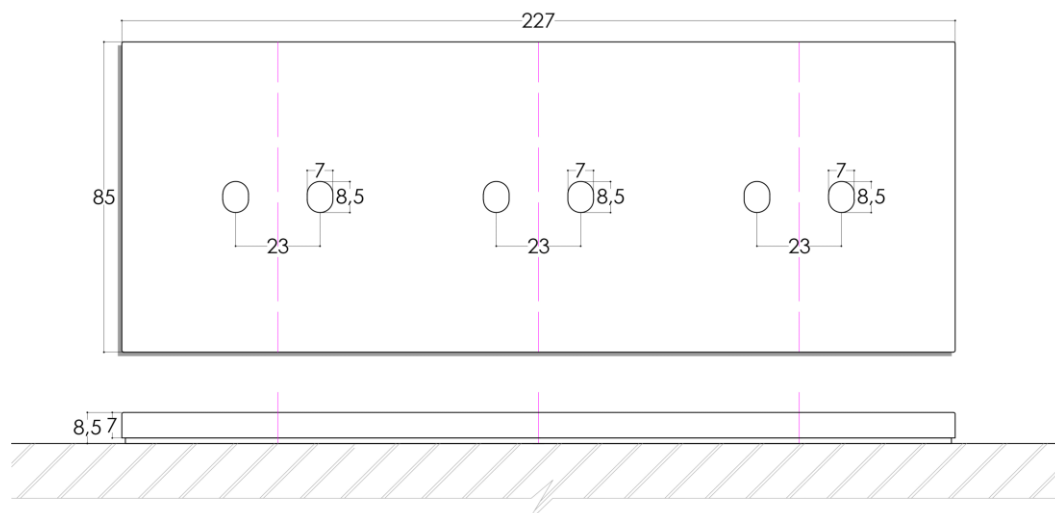
Windows opening : 2 + 2 + 1 ovalic holes for Sydney lever.

Caractéristiques

Matière : laiton massif.

Fenêtre : 2 + 2 + 1 ouvertures ovales pour levier Sydney.

Ref.	Finish	Finition	Effect	Effet
PSY405LMH	Polished mirror brass	Laiton miroir	Shiny	Brillant
PSY405LBH	Brushed brass	Laiton brossé	Matt	Mat
PSY405LSH	Microbilled/satin brass	Laiton microbillé	Satin	Satin
PSY405VOH	Antique/old gold	Vieil or	Matt	Mat
PSY405BMH	Medium bronze	Bronze moyen	Matt	Mat
PSY405BRH	Dark bronze	Bronze noir	Shiny	Brillant
PSY405BZH	Grey bronze	Bronze gris	Matt	Mat
PSY405NMH	Polished mirror nickel	Nickel miroir	Shiny	Brillant
PSY405NBH	Brushed nickel	Nickel brossé	Matt	Mat
PSY405NSH	Microbilled/satin nickel	Nickel brossé	Matt	Mat
PSY405CHH	Polished mirror chrome	Chrome miroir	Shiny	Brillant
PSY405ROH	Brushed copper	Cuivre brossé	Matt	Mat
PSY405RAH	RAL code 9003	RAL codes 9003	Matt	Mat
PSY405ORH	24K gold	24K or	Shiny	Brillant
PSY405OMH	24K microbilled gold	microbillé 24K or	Satin	Satin



SYDNEY

FRONT PLATE

FACE AVANT

Description

Material : full brass.

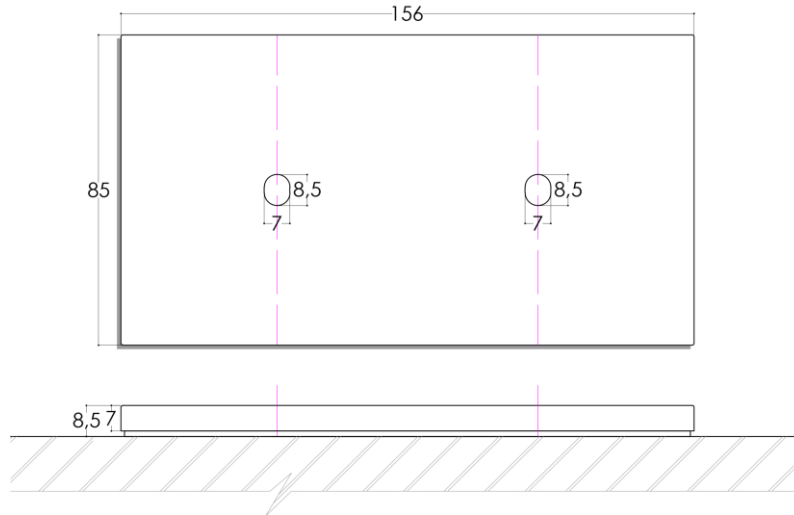
Windows opening : 2 + 2 + 2 ovalic holes for Sydney lever.

Caractéristiques

Matière : laiton massif.

Fenêtre : 2 + 2 + 2 ouvertures ovales pour levier Sydney.

Ref.	Finish	Finition	Effect	Effet
PSY406LMH	Polished mirror brass	Laiton miroir	Shiny	Brillant
PSY406LBH	Brushed brass	Laiton brossé	Matt	Mat
PSY406LSH	Microbilled/satin brass	Laiton microbillé	Satin	Satin
PSY406VOH	Antique/old gold	Vieil or	Matt	Mat
PSY406BMH	Medium bronze	Bronze moyen	Matt	Mat
PSY406BRH	Dark bronze	Bronze noir	Shiny	Brillant
PSY406BZH	Grey bronze	Bronze gris	Matt	Mat
PSY406NMH	Polished mirror nickel	Nickel miroir	Shiny	Brillant
PSY406NBH	Brushed nickel	Nickel brossé	Matt	Mat
PSY406NSH	Microbilled/satin nickel	Nickel brossé	Matt	Mat
PSY406CHH	Polished mirror chrome	Chrome miroir	Shiny	Brillant
PSY406ROH	Brushed copper	Cuivre brossé	Matt	Mat
PSY406RAH	RAL code 9003	RAL codes 9003	Matt	Mat
PSY406ORH	24K gold	24K or	Shiny	Brillant
PSY406OMH	24K microbilled gold	microbillé 24K or	Satin	Satin



SYDNEY

FRONT PLATE

FACE AVANT

Description

Material : full brass.

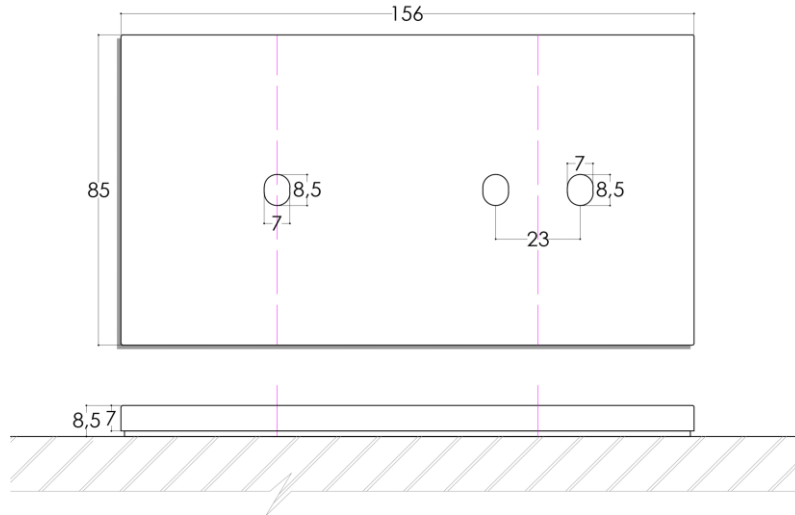
Windows opening : 1 + 1 ovalic holes for Sydney lever.

Caractéristiques

Matière : laiton massif.

Fenêtre : 1 + 1 ouvertures ovales pour levier Sydney.

Ref.	Finish	Finition	Effect	Effet
PSY407LMH	Polished mirror brass	Laiton miroir	Shiny	Brillant
PSY407LBH	Brushed brass	Laiton brossé	Matt	Mat
PSY407LSH	Microbilled/satin brass	Laiton microbillé	Satin	Satin
PSY407VOH	Antique/old gold	Vieil or	Matt	Mat
PSY407BMH	Medium bronze	Bronze moyen	Matt	Mat
PSY407BRH	Dark bronze	Bronze noir	Shiny	Brillant
PSY407BZH	Grey bronze	Bronze gris	Matt	Mat
PSY407NMH	Polished mirror nickel	Nickel miroir	Shiny	Brillant
PSY407NBH	Brushed nickel	Nickel brossé	Matt	Mat
PSY407NSH	Microbilled/satin nickel	Nickel brossé	Matt	Mat
PSY407CHH	Polished mirror chrome	Chrome miroir	Shiny	Brillant
PSY407ROH	Brushed copper	Cuivre brossé	Matt	Mat
PSY407RAH	RAL code 9003	RAL codes 9003	Matt	Mat
PSY407ORH	24K gold	24K or	Shiny	Brillant
PSY407OMH	24K microbilled gold	microbillé 24K or	Satin	Satin



SYDNEY

FRONT PLATE

FACE AVANT

Description

Material : full brass.

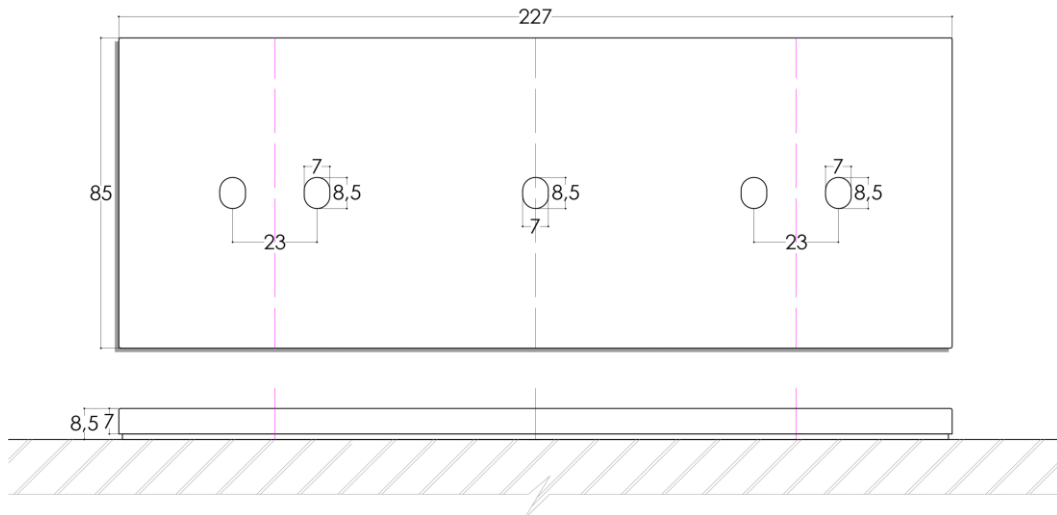
Windows opening : 1 + 2 ovalic holes for Sydney lever.

Caractéristiques

Matière : laiton massif.

Fenêtre : 1 + 2 ouvertures ovales pour levier Sydney.

Ref.	Finish	Finition	Effect	Effet
PSY408LMH	Polished mirror brass	Laiton miroir	Shiny	Brillant
PSY408LBH	Brushed brass	Laiton brossé	Matt	Mat
PSY408LSH	Microbilled/satin brass	Laiton microbillé	Satin	Satin
PSY408VOH	Antique/old gold	Vieil or	Matt	Mat
PSY408BMH	Medium bronze	Bronze moyen	Matt	Mat
PSY408BRH	Dark bronze	Bronze noir	Shiny	Brillant
PSY408BZH	Grey bronze	Bronze gris	Matt	Mat
PSY408NMH	Polished mirror nickel	Nickel miroir	Shiny	Brillant
PSY408NBH	Brushed nickel	Nickel brossé	Matt	Mat
PSY408NSH	Microbilled/satin nickel	Nickel brossé	Matt	Mat
PSY408CHH	Polished mirror chrome	Chrome miroir	Shiny	Brillant
PSY408ROH	Brushed copper	Cuivre brossé	Matt	Mat
PSY408RAH	RAL code 9003	RAL codes 9003	Matt	Mat
PSY408ORH	24K gold	24K or	Shiny	Brillant
PSY408OMH	24K microbilled gold	microbillé 24K or	Satin	Satin



SYDNEY

FRONT PLATE

FACE AVANT

Description

Material : full brass.

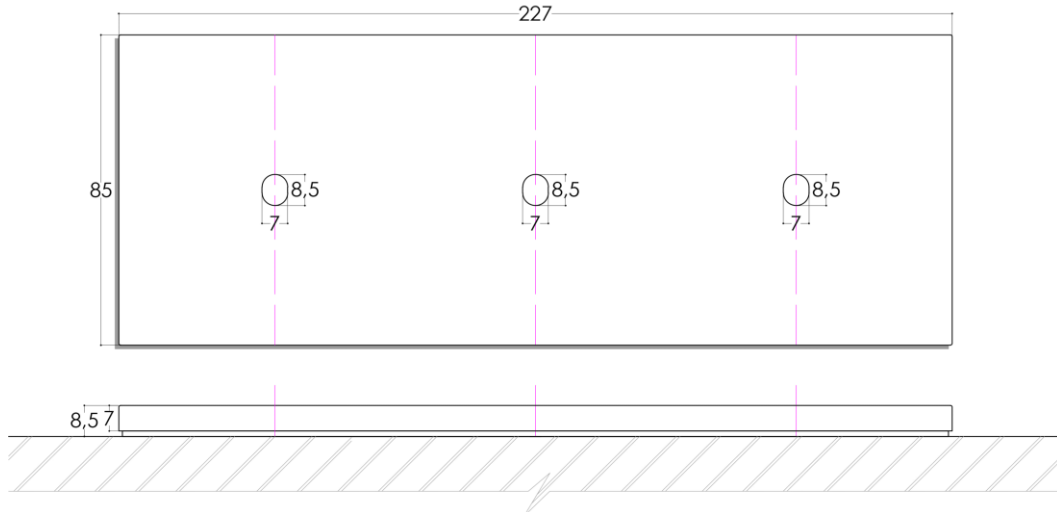
Windows opening : 2 + 1 + 2 ovalic holes for Sydney lever.

Caractéristiques

Matière : laiton massif.

Fenêtre : 2 + 1 + 2 ouvertures ovales pour levier Sydney.

Ref.	Finish	Finition	Effect	Effet
PSY409LMH	Polished mirror brass	Laiton miroir	Shiny	Brillant
PSY409LBH	Brushed brass	Laiton brossé	Matt	Mat
PSY409LSH	Microbilled/satin brass	Laiton microbillé	Satin	Satin
PSY409VOH	Antique/old gold	Vieil or	Matt	Mat
PSY409BMH	Medium bronze	Bronze moyen	Matt	Mat
PSY409BRH	Dark bronze	Bronze noir	Shiny	Brillant
PSY409BZH	Grey bronze	Bronze gris	Matt	Mat
PSY409NMH	Polished mirror nickel	Nickel miroir	Shiny	Brillant
PSY409NBH	Brushed nickel	Nickel brossé	Matt	Mat
PSY409NSH	Microbilled/satin nickel	Nickel brossé	Matt	Mat
PSY409CHH	Polished mirror chrome	Chrome miroir	Shiny	Brillant
PSY409ROH	Brushed copper	Cuivre brossé	Matt	Mat
PSY409RAH	RAL code 9003	RAL codes 9003	Matt	Mat
PSY409ORH	24K gold	24K or	Shiny	Brillant
PSY409OMH	24K microbilled gold	microbillé 24K or	Satin	Satin



SYDNEY

FRONT PLATE

FACE AVANT

Description

Material : full brass.

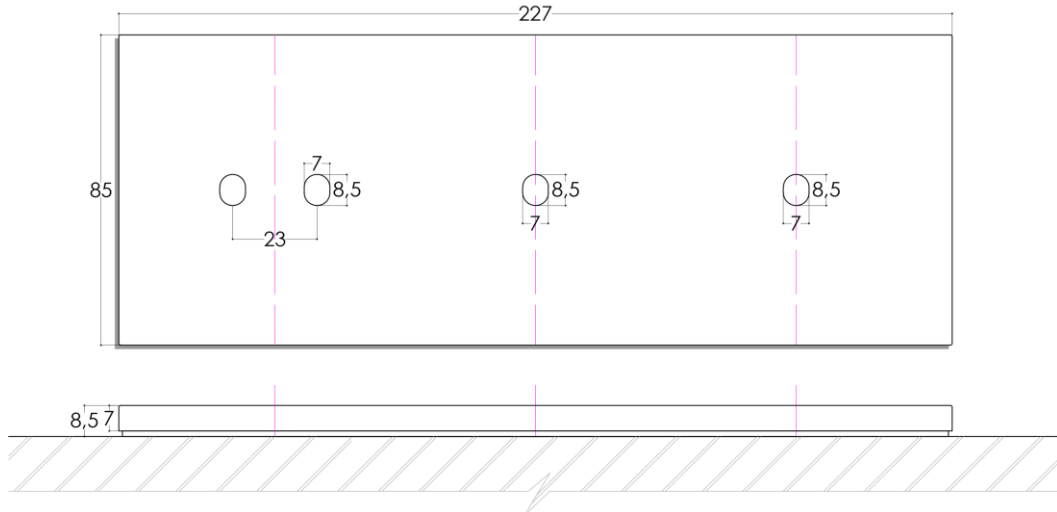
Windows opening : 1 + 1 + 1 ovalic holes for Sydney lever.

Caractéristiques

Matière : laiton massif.

Fenêtre : 1 + 1 + 1 ouvertures ovales pour levier Sydney.

Ref.	Finish	Finition	Effect	Effet
PSY410LMH	Polished mirror brass	Laiton miroir	Shiny	Brillant
PSY410LBH	Brushed brass	Laiton brossé	Matt	Mat
PSY410LSH	Microbilled/satin brass	Laiton microbillé	Satin	Satin
PSY410VOH	Antique/old gold	Vieil or	Matt	Mat
PSY410BMH	Medium bronze	Bronze moyen	Matt	Mat
PSY410BRH	Dark bronze	Bronze noir	Shiny	Brillant
PSY410BZH	Grey bronze	Bronze gris	Matt	Mat
PSY410NMH	Polished mirror nickel	Nickel miroir	Shiny	Brillant
PSY410NBH	Brushed nickel	Nickel brossé	Matt	Mat
PSY410NSH	Microbilled/satin nickel	Nickel brossé	Matt	Mat
PSY410CHH	Polished mirror chrome	Chrome miroir	Shiny	Brillant
PSY410ROH	Brushed copper	Cuivre brossé	Matt	Mat
PSY410RAH	RAL code 9003	RAL codes 9003	Matt	Mat
PSY410ORH	24K gold	24K or	Shiny	Brillant
PSY410OMH	24K microbilled gold	microbillé 24K or	Satin	Satin



SYDNEY

FRONT PLATE

FACE AVANT

Description

Material : full brass.

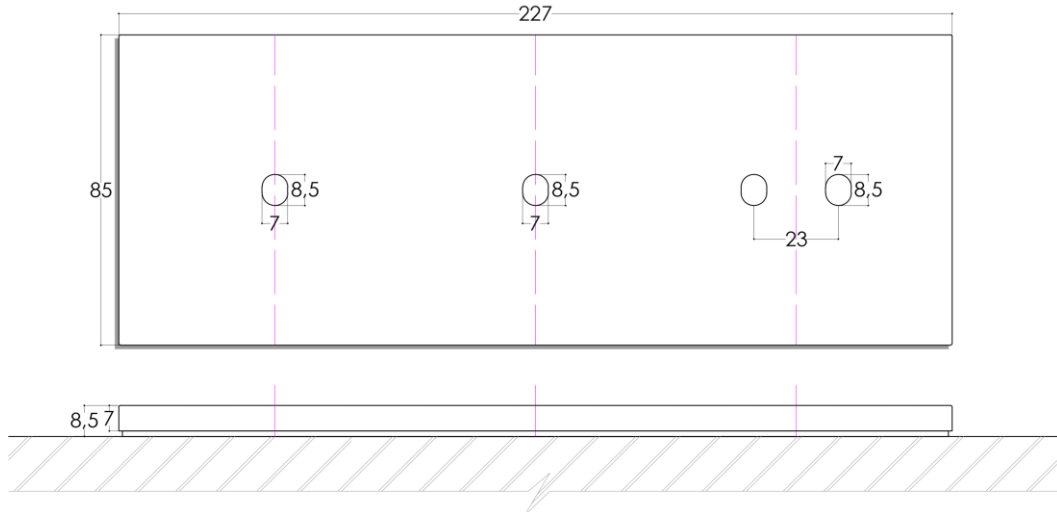
Windows opening : 2 + 1 + 1 ovalic holes for Sydney lever.

Caractéristiques

Matière : laiton massif.

Fenêtre : 2 + 1 + 1 ouvertures ovales pour levier Sydney.

Ref.	Finish	Finition	Effect	Effet
PSY411LMH	Polished mirror brass	Laiton miroir	Shiny	Brillant
PSY411LBH	Brushed brass	Laiton brossé	Matt	Mat
PSY411LSH	Microbilled/satin brass	Laiton microbillé	Satin	Satin
PSY411VOH	Antique/old gold	Vieil or	Matt	Mat
PSY411BMH	Medium bronze	Bronze moyen	Matt	Mat
PSY411BRH	Dark bronze	Bronze noir	Shiny	Brillant
PSY411BZH	Grey bronze	Bronze gris	Matt	Mat
PSY411NMH	Polished mirror nickel	Nickel miroir	Shiny	Brillant
PSY411NBH	Brushed nickel	Nickel brossé	Matt	Mat
PSY411NSH	Microbilled/satin nickel	Nickel brossé	Matt	Mat
PSY411CHH	Polished mirror chrome	Chrome miroir	Shiny	Brillant
PSY411ROH	Brushed copper	Cuivre brossé	Matt	Mat
PSY411RAH	RAL code 9003	RAL codes 9003	Matt	Mat
PSY411ORH	24K gold	24K or	Shiny	Brillant
PSY411OMH	24K microbilled gold	microbillé 24K or	Satin	Satin



SYDNEY

FRONT PLATE

FACE AVANT

Description

Material : full brass.

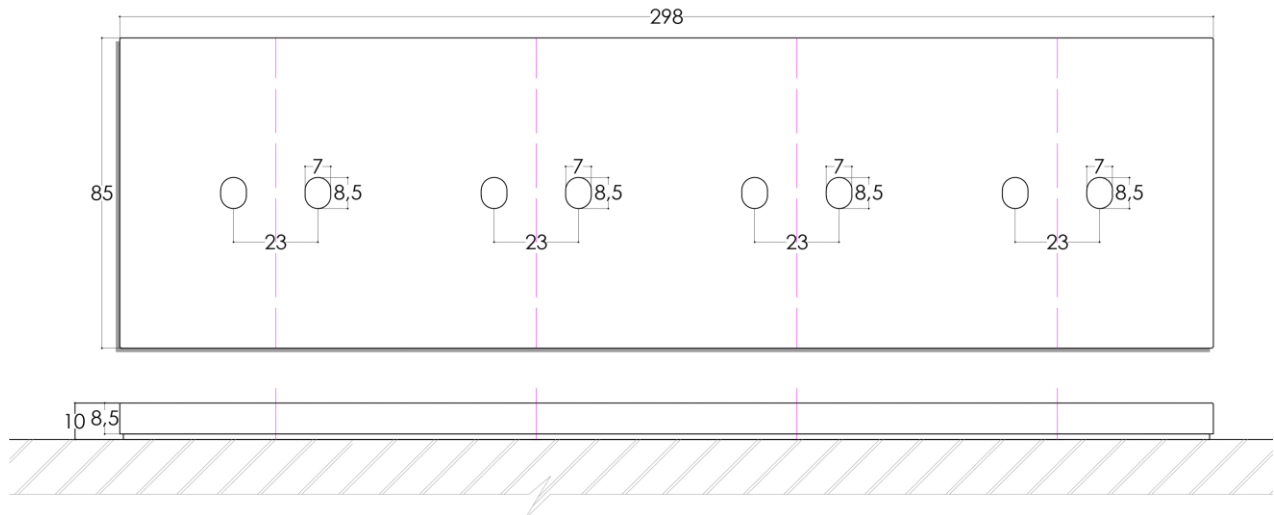
Windows opening : 1 + 1 + 2 ovalic holes for Sydney lever.

Caractéristiques

Matière : laiton massif.

Fenêtre : 1 + 1 + 2 ouvertures ovales pour levier Sydney.

Ref.	Finish	Finition	Effect	Effet
PSY412LMH	Polished mirror brass	Laiton miroir	Shiny	Brillant
PSY412LBH	Brushed brass	Laiton brossé	Matt	Mat
PSY412LSH	Microbilled/satin brass	Laiton microbillé	Satin	Satin
PSY412VOH	Antique/old gold	Vieil or	Matt	Mat
PSY412BMH	Medium bronze	Bronze moyen	Matt	Mat
PSY412BRH	Dark bronze	Bronze noir	Shiny	Brillant
PSY412BZH	Grey bronze	Bronze gris	Matt	Mat
PSY412NMH	Polished mirror nickel	Nickel miroir	Shiny	Brillant
PSY412NBH	Brushed nickel	Nickel brossé	Matt	Mat
PSY412NSH	Microbilled/satin nickel	Nickel brossé	Matt	Mat
PSY412CHH	Polished mirror chrome	Chrome miroir	Shiny	Brillant
PSY412ROH	Brushed copper	Cuivre brossé	Matt	Mat
PSY412RAH	RAL code 9003	RAL codes 9003	Matt	Mat
PSY412ORH	24K gold	24K or	Shiny	Brillant
PSY412OMH	24K microbilled gold	microbillé 24K or	Satin	Satin



SYDNEY

FRONT PLATE

FACE AVANT

Description

Material : full brass.

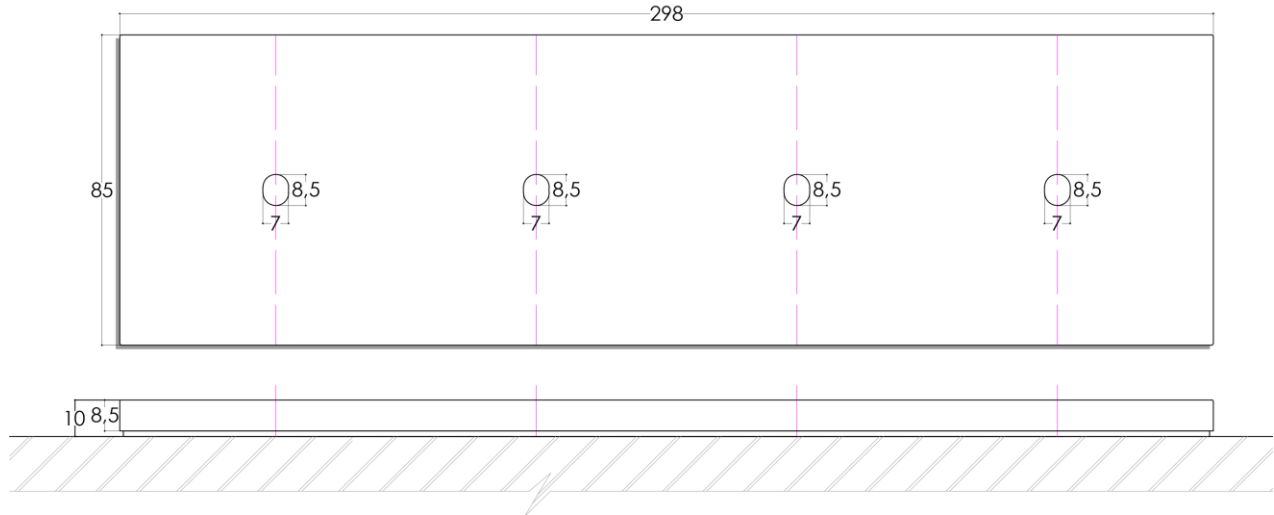
Windows opening : 2 + 2 + 2 + 2 ovalic holes for Sydney lever.

Caractéristiques

Matière : laiton massif.

Fenêtre : 2 + 2 + 2 + 2 ouvertures ovales pour levier Sydney.

Ref.	Finish	Finition	Effect	Effet
PSY415LMH	Polished mirror brass	Laiton miroir	Shiny	Brillant
PSY415LBH	Brushed brass	Laiton brossé	Matt	Mat
PSY415LSH	Microbilled/satin brass	Laiton microbillé	Satin	Satin
PSY415VOH	Antique/old gold	Vieil or	Matt	Mat
PSY415BMH	Medium bronze	Bronze moyen	Matt	Mat
PSY415BRH	Dark bronze	Bronze noir	Shiny	Brillant
PSY415BZH	Grey bronze	Bronze gris	Matt	Mat
PSY415NMH	Polished mirror nickel	Nickel miroir	Shiny	Brillant
PSY415NBH	Brushed nickel	Nickel brossé	Matt	Mat
PSY415NSH	Microbilled/satin nickel	Nickel brossé	Matt	Mat
PSY415CHH	Polished mirror chrome	Chrome miroir	Shiny	Brillant
PSY415ROH	Brushed copper	Cuivre brossé	Matt	Mat
PSY415RAH	RAL code 9003	RAL codes 9003	Matt	Mat
PSY415ORH	24K gold	24K or	Shiny	Brillant
PSY415OMH	24K microbilled gold	microbillé 24K or	Satin	Satin



SYDNEY

FRONT PLATE

FACE AVANT

Description

Material : full brass.

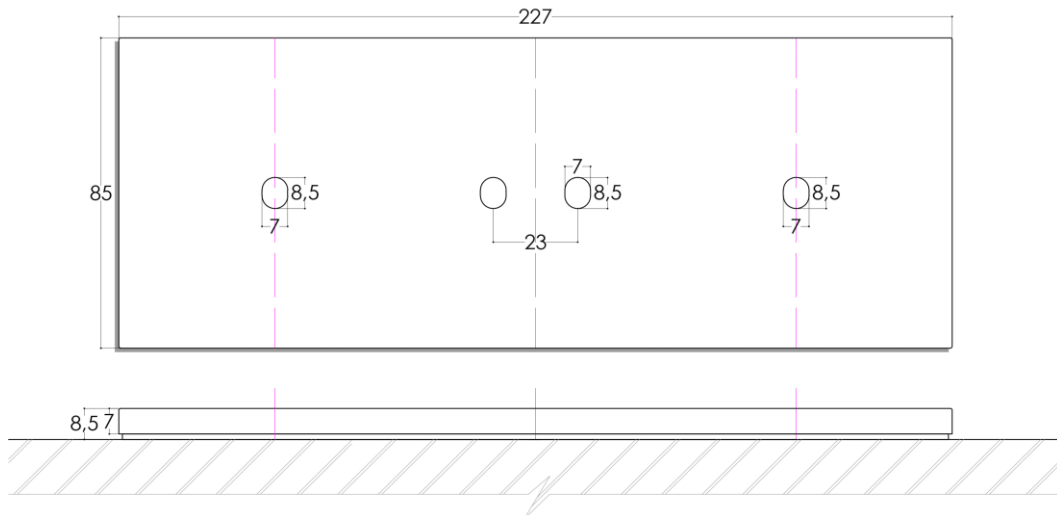
Windows opening : 1 + 1 + 1 + 1 ovalic holes for Sydney lever.

Caractéristiques

Matière : laiton massif.

Fenêtre : 1 + 1 + 1 + 1 ouvertures ovales pour levier Sydney.

Ref.	Finish	Finition	Effect	Effet
PSY416LMH	Polished mirror brass	Laiton miroir	Shiny	Brillant
PSY416LBH	Brushed brass	Laiton brossé	Matt	Mat
PSY416LSH	Microbilled/satin brass	Laiton microbillé	Satin	Satin
PSY416VOH	Antique/old gold	Vieil or	Matt	Mat
PSY416BMH	Medium bronze	Bronze moyen	Matt	Mat
PSY416BRH	Dark bronze	Bronze noir	Shiny	Brillant
PSY416BZH	Grey bronze	Bronze gris	Matt	Mat
PSY416NMH	Polished mirror nickel	Nickel miroir	Shiny	Brillant
PSY416NBH	Brushed nickel	Nickel brossé	Matt	Mat
PSY416NSH	Microbilled/satin nickel	Nickel brossé	Matt	Mat
PSY416CHH	Polished mirror chrome	Chrome miroir	Shiny	Brillant
PSY416ROH	Brushed copper	Cuivre brossé	Matt	Mat
PSY416RAH	RAL code 9003	RAL codes 9003	Matt	Mat
PSY416ORH	24K gold	24K or	Shiny	Brillant
PSY416OMH	24K microbilled gold	microbillé 24K or	Satin	Satin



SYDNEY

FRONT PLATE

FACE AVANT

Description

Material : full brass.

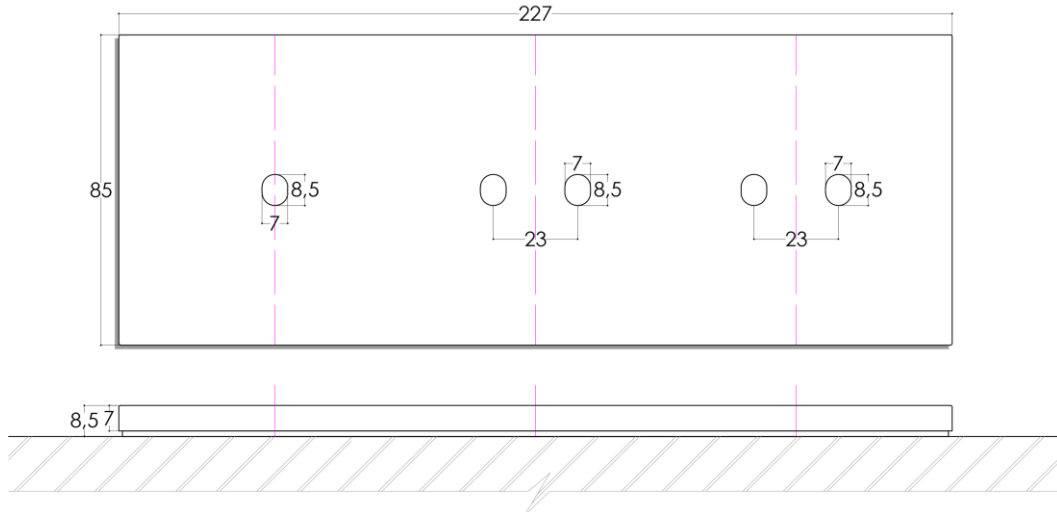
Windows opening : 1 + 2 + 1 ovalic holes for Sydney lever.

Caractéristiques

Matière : laiton massif.

Fenêtre : 1 + 2 + 1 ouvertures ovales pour levier Sydney.

Ref.	Finish	Finition	Effect	Effet
PSY417LMH	Polished mirror brass	Laiton miroir	Shiny	Brillant
PSY417LBH	Brushed brass	Laiton brossé	Matt	Mat
PSY417LSH	Microbilled/satin brass	Laiton microbillé	Satin	Satin
PSY417VOH	Antique/old gold	Vieil or	Matt	Mat
PSY417BMH	Medium bronze	Bronze moyen	Matt	Mat
PSY417BRH	Dark bronze	Bronze noir	Shiny	Brillant
PSY417BZH	Grey bronze	Bronze gris	Matt	Mat
PSY417NMH	Polished mirror nickel	Nickel miroir	Shiny	Brillant
PSY417NBH	Brushed nickel	Nickel brossé	Matt	Mat
PSY417NSH	Microbilled/satin nickel	Nickel brossé	Matt	Mat
PSY417CHH	Polished mirror chrome	Chrome miroir	Shiny	Brillant
PSY417ROH	Brushed copper	Cuivre brossé	Matt	Mat
PSY417RAH	RAL code 9003	RAL codes 9003	Matt	Mat
PSY417ORH	24K gold	24K or	Shiny	Brillant
PSY417OMH	24K microbilled gold	microbillé 24K or	Satin	Satin



SYDNEY

FRONT PLATE

FACE AVANT

Description

Material : full brass.

Windows opening : 1 + 2 + 2 ovalic holes for Sydney lever.

Caractéristiques

Matière : laiton massif.

Fenêtre : 1 + 2 + 2 ouvertures ovales pour levier Sydney.

Ref.	Finish	Finition	Effect	Effet
PSY423LMH	Polished mirror brass	Laiton miroir	Shiny	Brillant
PSY423LBH	Brushed brass	Laiton brossé	Matt	Mat
PSY423LSH	Microbilled/satin brass	Laiton microbillé	Satin	Satin
PSY423VOH	Antique/old gold	Vieil or	Matt	Mat
PSY423BMH	Medium bronze	Bronze moyen	Matt	Mat
PSY423BRH	Dark bronze	Bronze noir	Shiny	Brillant
PSY423BZH	Grey bronze	Bronze gris	Matt	Mat
PSY423NMH	Polished mirror nickel	Nickel miroir	Shiny	Brillant
PSY423NBH	Brushed nickel	Nickel brossé	Matt	Mat
PSY423NSH	Microbilled/satin nickel	Nickel brossé	Matt	Mat
PSY423CHH	Polished mirror chrome	Chrome miroir	Shiny	Brillant
PSY423ROH	Brushed copper	Cuivre brossé	Matt	Mat
PSY423RAH	RAL code 9003	RAL codes 9003	Matt	Mat
PSY423ORH	24K gold	24K or	Shiny	Brillant
PSY423OMH	24K microbilled gold	microbillé 24K or	Satin	Satin